

Procedure 7.13 - Replacing the Lift Axle Wear Tube

Removing the Lift Axle Wear Tube

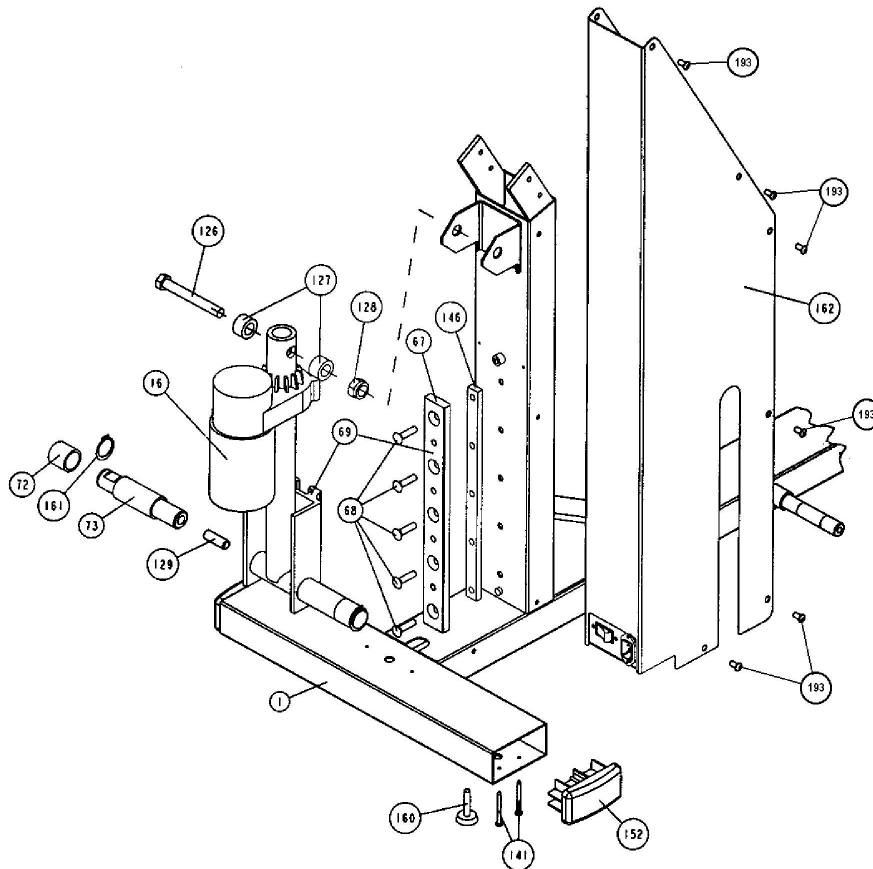
1. Turn off the EFX 544 with the circuit breaker, then unplug the power cord from the wall outlet.

WARNING

Before continuing with this procedure, review the Warning and Caution statements listed in Section One, Things You Should Know.

2. Remove the outboard snap ring from one end of the lower lift shaft. Remove the lower axle wear tube (see Diagram 7.5).

Diagram 7.5 - EFX 544 Lift System



3. If you removed the lift axle wear tube because you are installing a new lower lift shaft (as described in Procedure 7.10), visually inspect the lift axle wear tube. If the wear tube is worn or defective . . .

THEN . . .

Replace a new lift axle wear tube on the EFX 544 when you perform the next step.

OTHERWISE . . .

Replace the original lift axle wear tube on the EFX 544 when you perform the next step.

Replacing the Lift Axle Wear Tube

4. Place the lift axle wear tube on the end of the lower lift shaft. Replace the snap ring on the lower lift shaft.